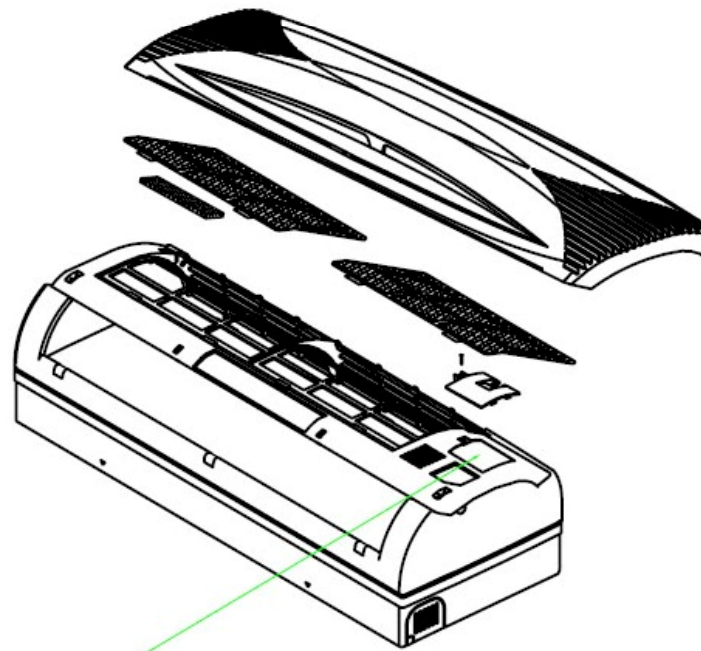
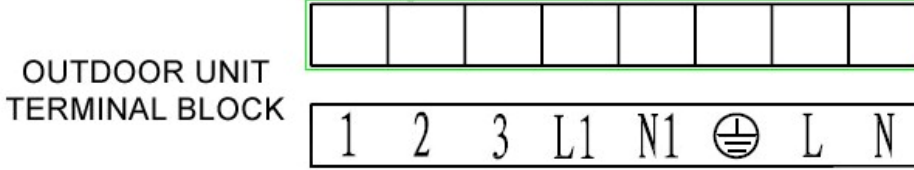
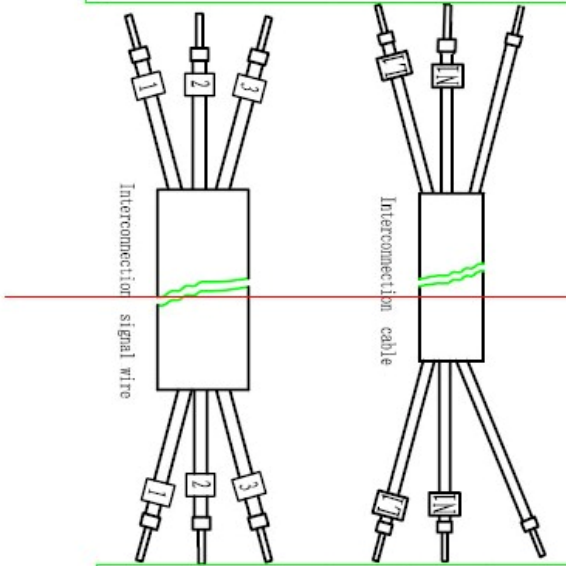
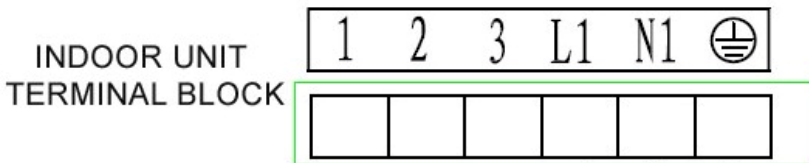


WIRING DIAGRAM FOR MODELS 25GW, 26GW & 35GW
 9000 AND 12000 BTU
 115 V 60 HZ SINGLE PHASE



The wiring terminal of indoor unit



Ground Connection on Plate

The wiring terminal of outdoor unit
 (under handle)

MAIN POWER
 115V 60Hz Single Phase
 Connect to 20 Amp Breaker

